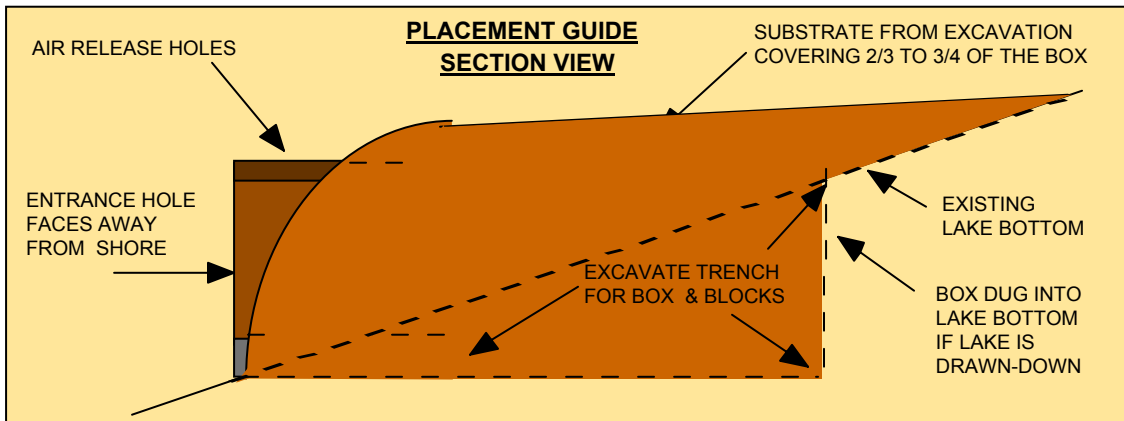
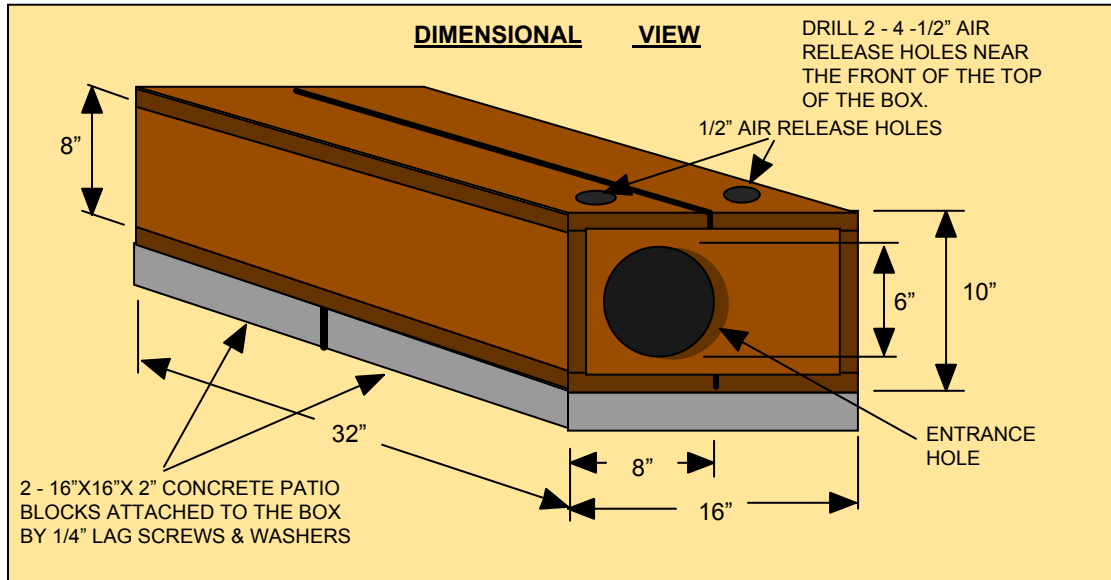


**PENNSYLVANIA CHANNEL CATFISH SPAWNING BOX  
STANDARD DRAWING**



**MATERIALS (PER ONE BOX):**  
 1"X8"X8' ROUGH CUT HEMLOCK = 2.5 PCS.  
 16"X16"X2" CONCRETE PATIO BLOCKS = 2 EA.  
 10D COMMON NAILS: 32 NAILS OR 1/8TH LBS.  
 1/4" LAG SCREW & WASHERS: 4 EA.

**SUGGESTED EQUIPMENT:**  
 ELECTRIC DRILL, SABER SAW, CIRCULAR SAW  
 7/16" SOCKET & RATCHET, CLAW HAMMER  
 1/4" MASONRY BIT, 1/2" WOOD BIT.

**NOTES:**  
 THE BOX SHOULD BE PLACED IN 3' TO 6' DEPTHS WITH THE OPENING FACING AWAY FROM SHORE.

THE BOX MAY ALSO BE PLACED DURING "FULL POOL" PERIODS, BY GENTLY SUBMERGING THE BOX FROM A WATERCRAFT AND LETTING THE BOX REST DIRECTLY ON THE BOTTOM OF THE LAKE, WITH NO EXCAVATION OF SUBSTRATE NECESSARY.