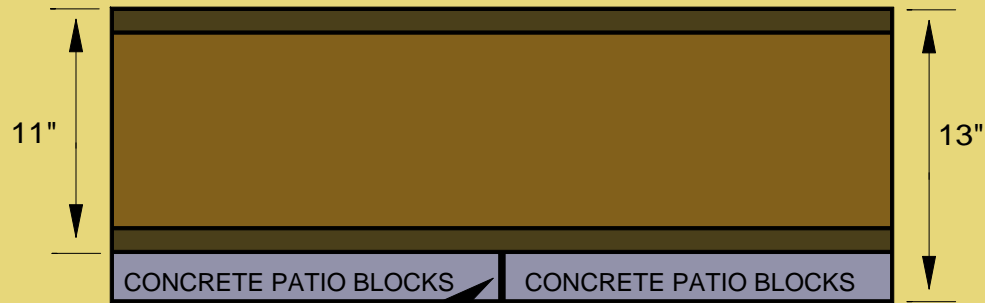


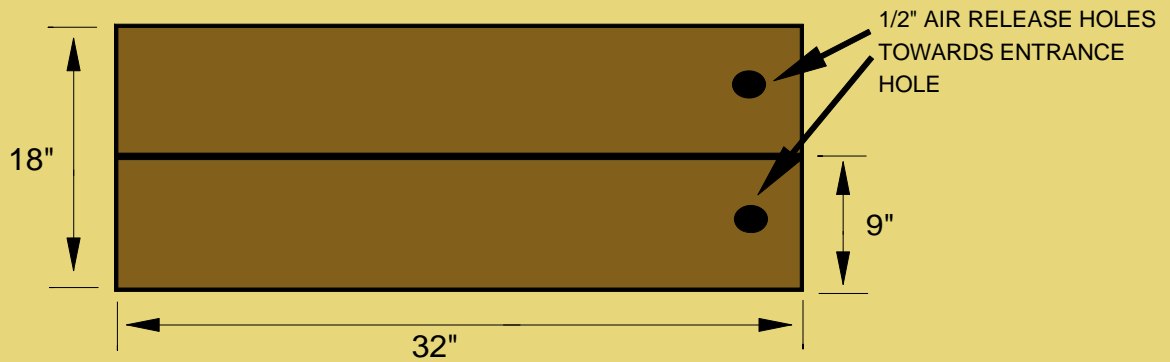
# PENNSYLVANIA CHANNEL CATFISH SPAWNING BOX STANDARD DRAWING

SECTION VIEW

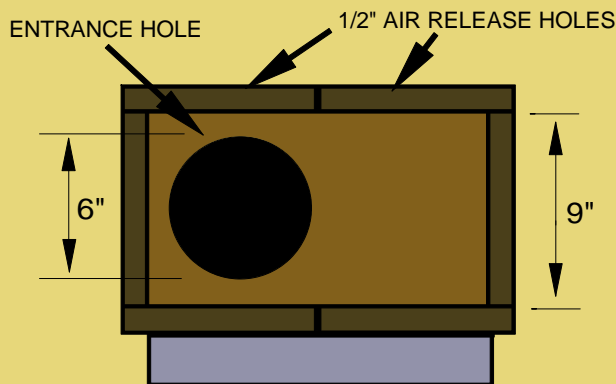


2 - 16" x 16" x 2" CONCRETE PATIO BLOCKS ARE ATTACHED TO THE BOX BY 1/4" CARRIAGE BOLTS, NUTS, AND WASHERS

PLAN VIEW



PROFILE VIEW



## MATERIALS AND NOTES

MATERIALS:

ROUGH CUT HEMLOCK LUMBER 1" X 9" X 8' - 2.5 PIECES  
 CONCRETE PATIO BLOCK 16" X 16" X 2" - 2 PIECES  
 COMMON NAILS (10D) -32 NAILS OR 1/8 LBS  
 CARRIAGE BOLTS- 1/4" X 3"- 4 EACH  
 CARRIAGE NUTS- 4 EACH  
 CARRIAGE WASHERS- 4 EACH

NOTES:

LUMBER MUST BE TRUE DIMENSIONAL  
 LUMBER MUST BE GREEN (FRESH CUT)  
 YELLOW POPLAR MAY BE SUBSTITUTED FOR HEMLOCK  
 BOX SHOULD BE PLACED IN 3' - 5' OF WATER  
 CAN BE PLACED BY EXCAVATING A HOLE OR BY BOAT  
 NOT TO SCALE  
 ALL SIZES ARE APPROXIMATE  
 FIT IN FIELD

SUGGESTED EQUIPMENT:

ELECTRIC DRILL, SABER SAW, CIRCULAR SAW  
 7/16" SOCKET AND RATCHET, CLAW HAMMER  
 MASONARY BIT 5/16", WOOD BIT 1/2"